

WPw118	Specific Traffic Management Plans - Bony Mountain		
Page: 1 of 6	Approved by: Workplace Health & Safety Manager	Authorised by: Juan Corredor	

General Requirements

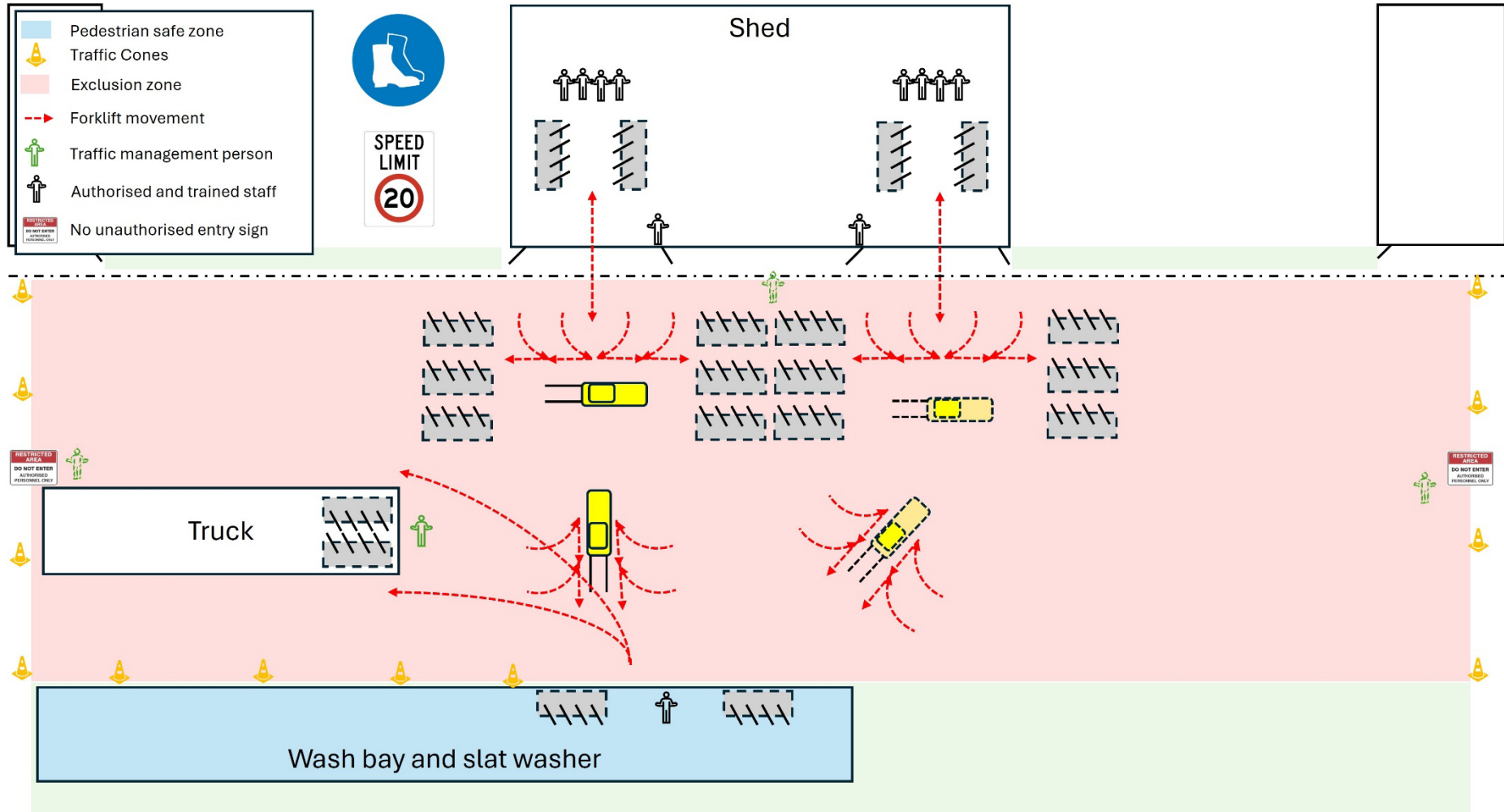
1. For Bird Placement, Bird Depopulation, Stripping and Litter Removal, an initial meeting prior to commencement of the work must take place to clarify individual roles, responsibilities and safety awareness.
2. All speed limits must be observed, and safety signs must be obeyed
3. High visibility vests or clothing and safety shoes must be worn on site
4. No Smoking on company property, except in the designated areas
5. For Bird placement / depopulation, truck drivers must always remain within their vehicle, unless authorised by the site manager or delegate
6. Prior to operations, the exclusion zones must be set up by the site manager, manager's Delegate or truck driver as per the relevant specific traffic management plan using traffic cones and "No Entry" signs
7. The "No entry signs" must have the UHF channel written on them for contractors to contact the traffic management person
8. UHF communication must be used between traffic management person and contractors for instructions on where to park and when to move
9. All truck drivers/contractors must contact the site manager or delegate on arrival and may not enter the exclusion zone unless authorised by the site manager or delegate. Drivers must obey the directive given to them by site manager or delegate at all times.
10. Compound gates/safety bollards must be closed/reinstalled once the truck/contractor has entered the exclusion zone
11. Only authorised people are allowed within the exclusion zone
12. Litter removal and bird depopulation operations are not permitted to occur concurrently.
13. If the truck driver is authorised to leave the truck, ensure all Maxi/parking brakes are applied when exiting the vehicle and chocks are placed behind at least one wheel.

1. Bird Placement, Bird Depopulation, Stripping and Litter Removal



- ### Loading & Unloading Materials
- Truck drivers **must** remain inside of the truck cab whilst being loaded / unloaded.
 - If truck driver is authorised by the site manager or delegate to leave the truck cab, the driver **must** always stay in contact (verbal / visual) with the forklift driver.
 - When truck is loaded/unloaded, the forklift driver **must** park and inform the truck driver that the operation has finished.

2. Bird Depopulation Forklift Movements



3. Bird hosing (Summer) and slat washing



4. Egg Collection



5. Feed Delivery

